



Registered Office
S. No. 122/2P1, Behind Cyber Ceramic, 8-A National Highway,
Bandhu Nagar, Morbi - 363 642, Gujarat, India.
E-mail : solitaire.sw@gmail.com

Design By : YO...R Graphics, 02822-224570

2014 - COLLECTION

SOLITAIRE
SANITARY WARES



Beyond Luxury





company profile

Solitaire, the market leader in bathroom spaces, applies innovation and technology to all its products so that you can enjoy the latest trends in bathroom spaces. With very high quality standard and a infinite product range solitaire is rising rapidly in growth chart.

Our close bonding with prestigious designers and architect allow us to remain always at the cutting edge in the creation of bathroom spaces. Solitaire also helps you keep your commitment to the environment to propose more advance solutions for water and energy savings by introducing latest flushing techniques. Our vision is always on customer satisfaction by providing comfortable, long lasting and easy to use products with luxurious touch. That is why it's called – “Beyond Luxury”



Beyond Luxury




SOLITAIRE
SANITARY WARES

INDEX

SUITE



06



36

WASH BASIN PEDESTAL

WALL HUNG BASIN



48



60

TABLE TOP

COUNTER BASIN



74

WATER CLOSET



76



89

URINAL & P-TRAP

PAN



90



92

TECHNICAL

COLOUR



103



COUPLE SUITE



SUITE



DEVIL | CHAOS

DEVIL
WALL HUNG CLOSET L-560, W-355, H-340MM



CHAOS
TABLE TOP BASIN L-530, W-350, H-130MM

SUITE



CLASSIA
BASIN WITH
PEDESTAL L-580, W-470, H-830MM



ZORO L-670, W-355, H-730MM
ONE PIECE CLOSET
'S' TRAP - DISTANCE - 225MM

ZORO | CLASSIA

STATUS
BASIN WITH
PEDESTAL L-615, W-430, H-840MM



EXPLODE L-635, W-355, H-740MM
ONE PIECE CLOSET
'S' TRAP - DISTANCE - 225MM

SUITE



EXPLODE | STATUS





MAXIMUS | KAMIKAZE

SUITE



MAXIMUS L-490, W-350, H-340MM
WALL HUNG CLOSET



KAMIKAZE L-465, W-475, H-145MM
TABLE TOP BASIN



SUITE

NEON | JOKER

NEON
WALL HUNG CLOSET L-540, W-360, H-330MM



JOKER
TABLE TOP BASIN L-620, W-480, H-130MM



DIEGO | COOPER

COOPER

BASIN WITH PEDESTAL L-570, W-440, H-810MM



DIEGO

ONE PIECE CLOSET
S' & P' TRAP
S' TRAP - DISTANCE - 225MM
P' TRAP - DISTANCE - 155MM

L-680, W-380, H-690MM

SUITE



STALLION
BASIN WITH
PEDESTAL L-570, W-440, H-815MM



DEVIL L-695, W-370, H-640MM
ONE PIECE CLOSET
'S' TRAP - DISTANCE - 225MM

DEVIL | STALLION



STUD
WALL HUNG CLOSET

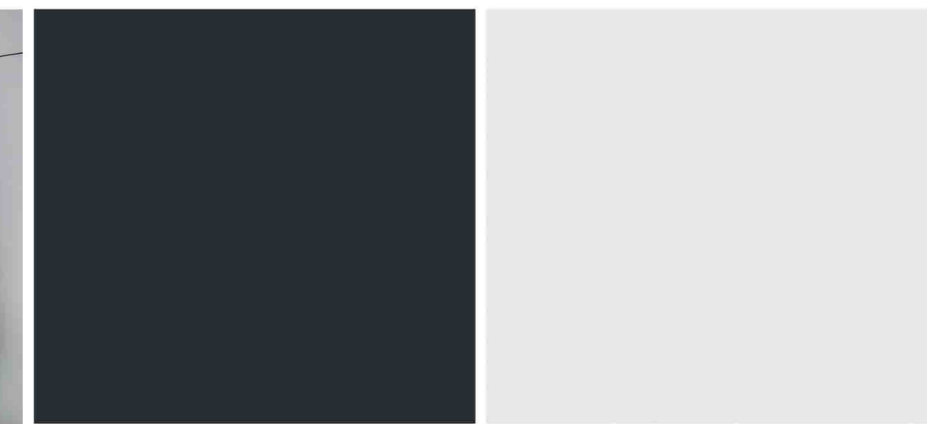
L-490, W-350, H-345MM



VIRGO
TABLE TOP BASIN
L-585, W-365, H-100MM

SUITE

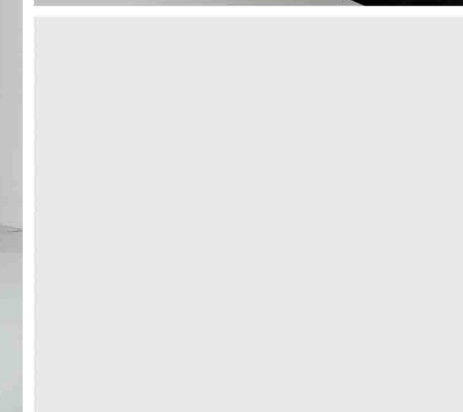
STUD | VIRGO



BUBBLE
TABLE TOP BASIN
L-510, W-410, H-150MM



INFERNO
WALL HUNG CLOSET
L-490, W-350, H-360MM



SUITE

INFERNO | BUBBLE

SUITE



CUTE | ENIGMA

CUTE
TABLE TOP BASIN L-320, W-320, H-120MM



ENIGMA
WALL HUNG CLOSET L-525, W-345, H-360MM



MAVERICK
BASIN WITH PEDESTAL

L-520, W-440, H-840MM



PRADO
ONE PIECE CLOSET
'S' & 'P' TRAP
'S' TRAP - DISTANCE - 225MM
'P' TRAP - DISTANCE - 140MM

L-700, W-370, H-650MM



PRADO | MAVERICK

SUITE



NEXUS | EXOTIC

EXOTIC
BASIN WITH
PEDESTAL

L-630, W-465, H-800MM



NEXUS

ONE PIECE CLOSET
'S' TRAP - DISTANCE - 100MM

L-730, W-410, H-600MM



EXPLODE L-490, W-340, H-340MM
WALL HUNG CLOSET

CONCERT L-440, W-470, H-130MM
TABLE TOP BASIN

EXPLODE | CONCERT



DIEGO
WALL HUNG CLOSET L-490, W-330, H-450MM



CRUZ
TABLE TOP BASIN L-410, W-340, H-180MM



WASH BASIN PEDESTAL





ISABELLA L-570, W-500, H-850MM



JUPITER

L-600, W-430, H-840MM

WASH BASIN
PEDESTAL

WASH BASIN
PEDESTAL



ANDROID

L-420, W-480, H-800MM



COOPER

L-570, W-440, H-810MM



TRANSIT

L-570, W-445, H-845MM



GLORIA

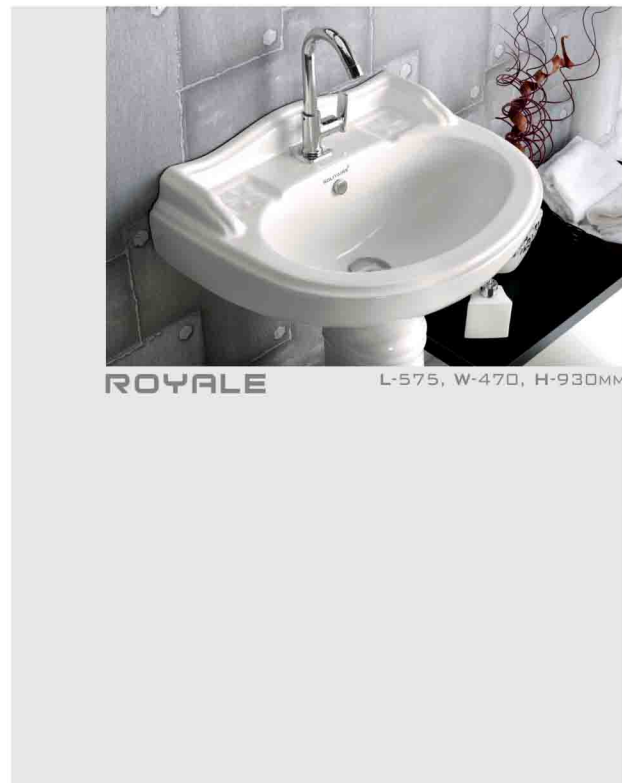
L-585, W-445, H-855MM



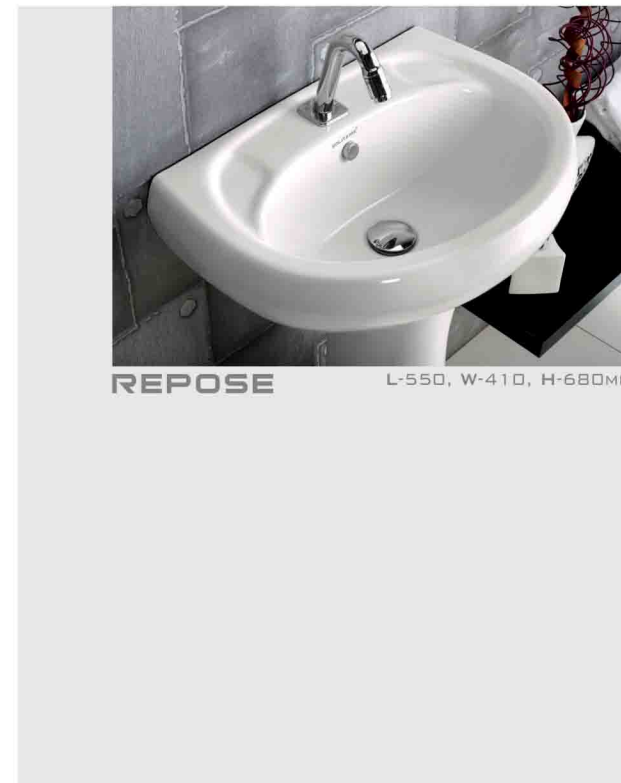
SYMPHONY L-550, W-450, H-870MM



SALSA L-530, W-430, H-870MM



ROYALE L-575, W-470, H-930MM



REPOSE L-550, W-410, H-680MM



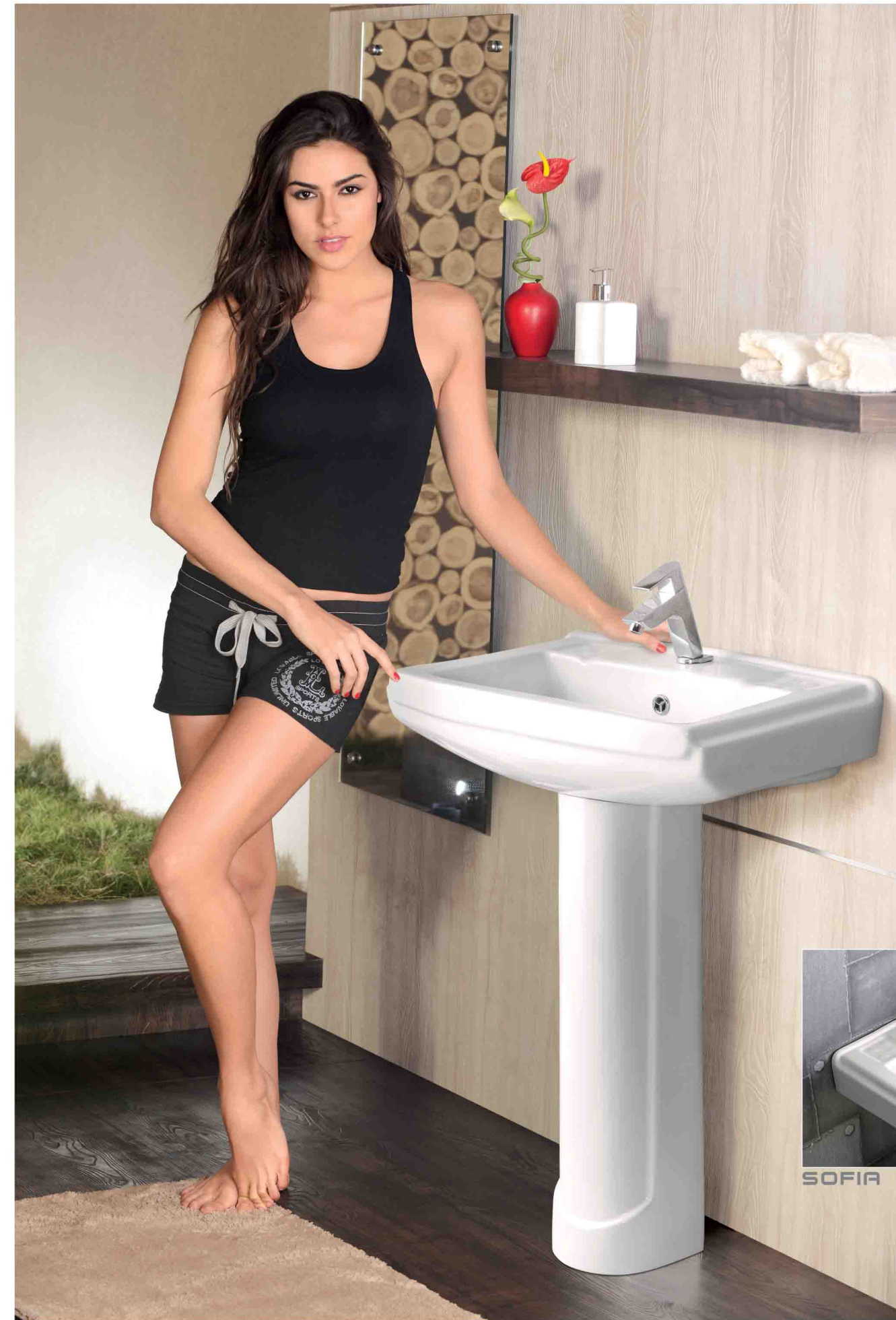
**WASH BASIN
PEDESTAL**

WASH BASIN
PEDESTAL

STERLING L-650, W-500, H-940MM



LEGEND L-615, W-465, H-840MM



SOFIA L-590, W-415, H-840MM



SIZZLE
 L-570, W-455, H-440MM



LEGEND
 L-615, W-465, H-630MM



COOPER
 L-570, W-440, H-435MM

HARMONY
 L-470, W-400, H-500MM



WASH BASIN WITH

HALF PEDESTAL



**WALL HUNG
BASIN**



ORACLE

L-445, W-445, H-150MM



PHOENIX

L-470, W-380, H-95MM



XENON

L-460, W-350, H-120MM



SOLARIS

L-500, W-420, H-140MM



KAMIKAZE
L-465, W-475, H-145MM



ERAGON
L-415, W-415, H-150MM



CHARIOT
L-440, W-260, H-135MM

**WALL HUNG
BASIN**

VOGUE

L-540, W-330, H-160MM



L-600, W-350, H-120MM

KINGDOM



L-560, W-410, H-120MM

VERONICA



L-600, W-410, H-160MM

ELIXIR





CONCERT
L-440, W-470, H-130MM



MANGO
L-500, W-300, H-175MM



ORBITAL
L-425, W-260, H-150MM



RIPPLE
L-450, W-300, H-110MM



XANDER
L-500, W-320, H-110MM



ASWAN
L-400, W-210, H-110MM

**WALL HUNG
BASIN**

CASANOVA

L-500, W-410, H-150MM



LITTLE
L-350, W-265, H-120MM



MACHO

L-330, W-290, H-120MM

WALL HUNG
BASIN



ROMEO

L-420, W-300, H-130MM



NICK

L-430, W-370, H-210MM



JULIET

L-365, W-345, H-135MM



PRISM

L-385, W-385, H-125MM



CUBEN L-445, W-400, H-155MM



SAPPHIRE L-450, W-310, H-210MM



GOLDEN L-460, W-360, H-180MM



AZTEC L-480, W-325, H-190MM



MINTO L-470, W-345, H-165MM



ARCHIE L-450, W-255, H-125MM

WALL HUNG
BASIN



SOLITAIRE[®]
SANITARY WARES

TABLE TOP





MAFIA

L-630, W-400, H-110MM



VERONICA

L-560, W-410, H-120MM

ELIXIR

L-600, W-410, H-160MM



EXCITE

L-535, W-400, H-145MM



TABLE TOP



BUTTERFLY

L-550, W-365, H-100MM



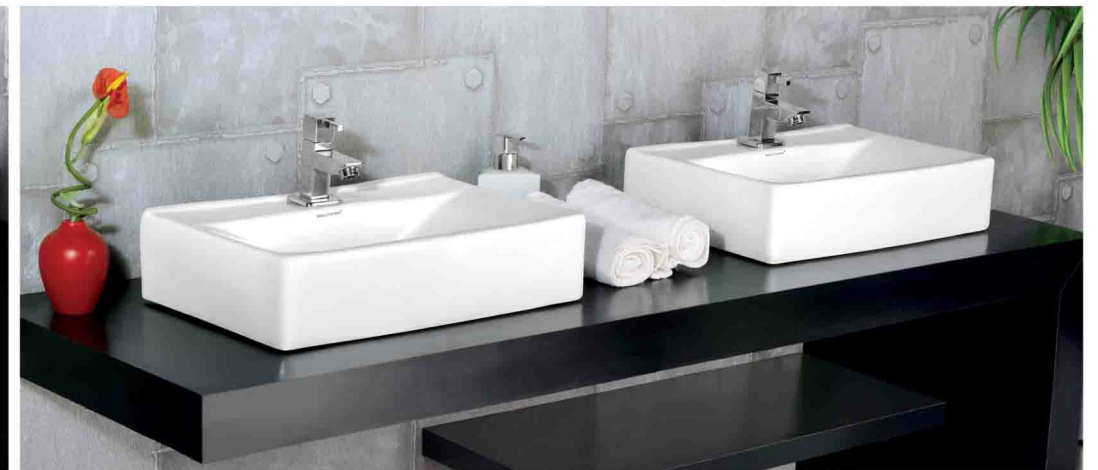
CAMPUS

L-470, W-390, H-120MM



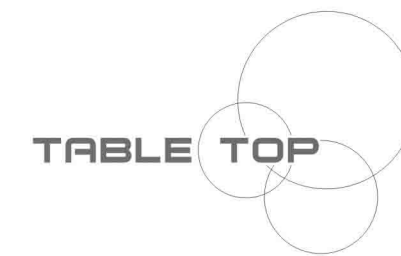
MACHO

L-330, W-290, H-120MM



RIPPLE

L-450, W-300, H-110MM





LOOPY L-500, W-500, H-90MM

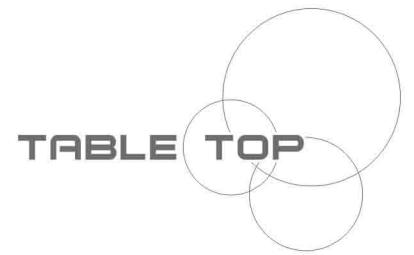


MOON L-370, W-370, H-140MM

MARIO L-400, W-400, H-145MM



SLEEK L-520, W-310, H-140MM





SIMON

L-295, W-420, H-130MM



XENON

L-460, W-350, H-120MM

CASANOVA

L-500, W-410, H-150MM



PRISM

L-385, W-385, H-125MM

TABLE TOP



SWING
L-560, W-410, H-180MM



WONDER

L-580, W-410, H-185MM



COMPACT

L-460, W-310, H-220MM





**WATER CLOSET
PAN & URINAL**



NEXUS

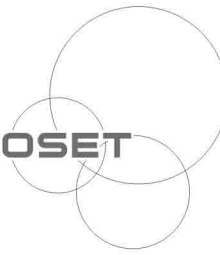
L-370, W-410, H-600MM



EXPLODE

L-635, W-355, H-740MM

WATER CLOSET



DEVIL

L-695, W-370, H-640MM



PRADO

L-700, W-370, H-650MM



DIEGO

L-680, W-380, H-690MM



ZORO

L-670, W-355, H-730MM



DEVIL

L-560, W-355, H-340MM

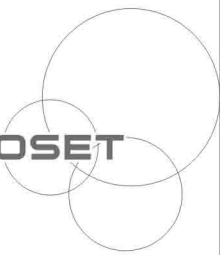


STUD

L-490, W-350, H-345MM



WATER CLOSET



SPIRIT

L-540, W-350, H-360MM



ENIGMA

L-525, W-345, H-360MM



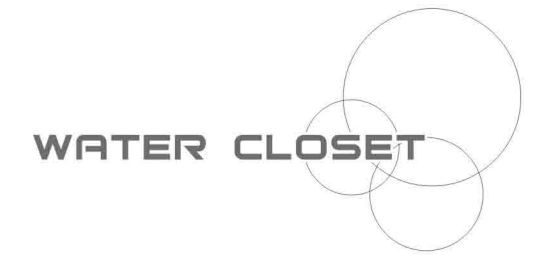
THUNDER

L-535, W-360, H-390MM



DIEGO

L-490, W-330, H-450MM





MAXIMUS
L-490, W-350, H-340MM

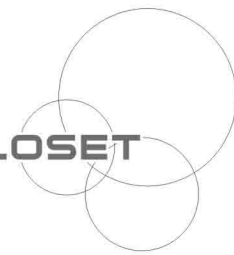


EXPLODE
L-490, W-340, H-340MM



INFERNO
L-490, W-350, H-360MM

WATER CLOSET



NEON
L-540, W-360, H-330MM

ANGLO INDIAN 'S' L-510, W-455, H-415MM



ANGLO INDIAN 'P' L-510, W-455, H-415MM



SPICE 'P' L-540, W-375, H-415MM



SPICE 'S' L-540, W-375, H-415MM



MIAMI 'S' L-475, W-350, H-390MM



DELIGHT 'S' L-400, W-355, H-390MM



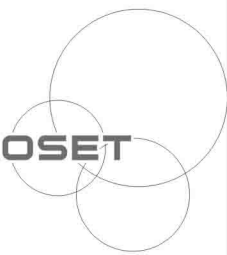


JAZZ L-675, W-365, H-825MM



MARATHON 'S' & 'P' TRAP L-540, W-365, H-395MM

WATER CLOSET



GIANT L-345, W-320, H-560MM FLAT BACK L-330, W-250, H-445MM HAVANA L-340, W-325, H-440MM



P-TRAP



SQUATTING

L-475, W-365, H-105MM

URINAL





SOLITAIRE
SANITARY WARES



ACU PAN

L-510, W-430, H-260MM



ORISA PAN 23"

L-600, W-450, H-290MM



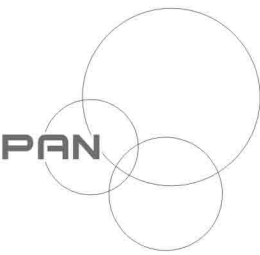
ORISA PAN 20"

L-510, W-430, H-260MM

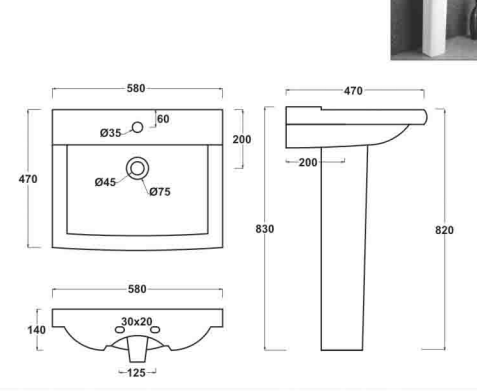


CT PAN

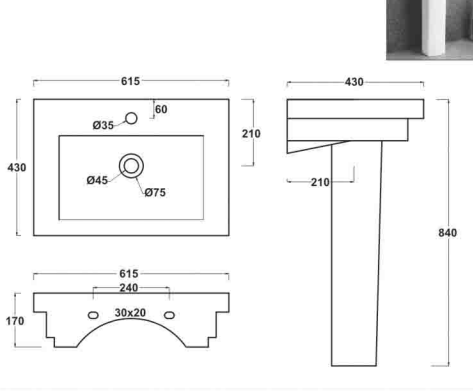
L-525, W-430, H-180MM



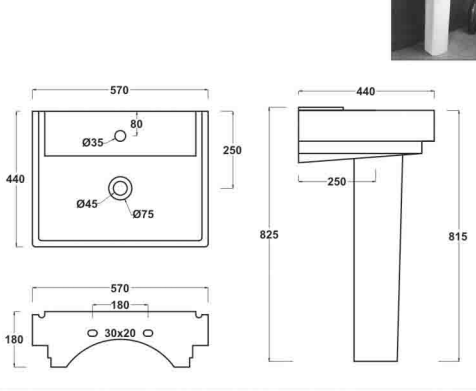
Classia Page No. 11



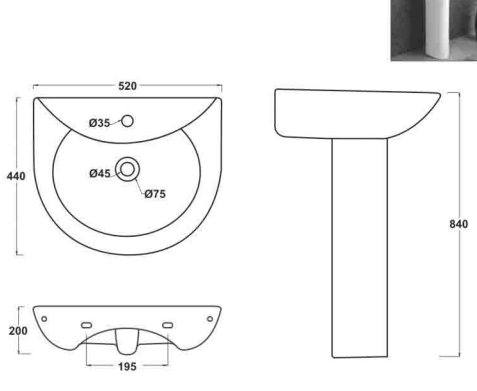
Status Page No. 12



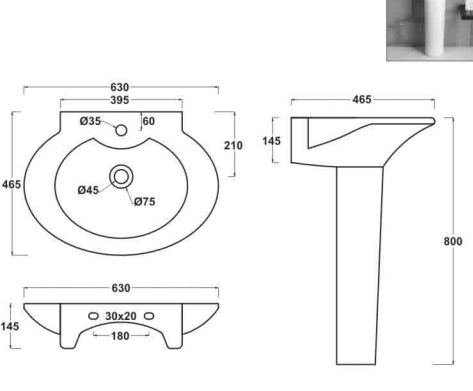
Stallion Page No. 21



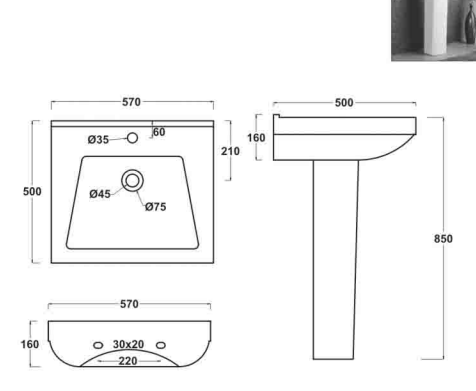
Maverick Page No. 28



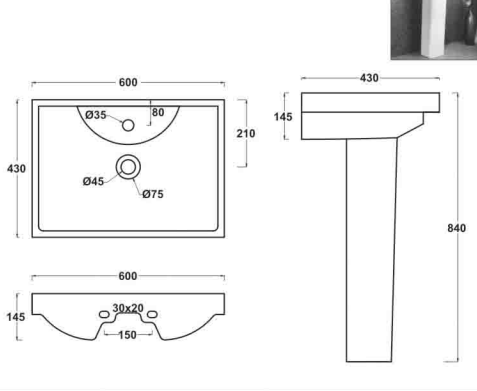
Exotic Page No. 31



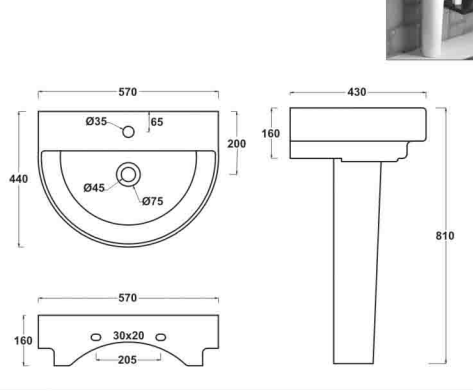
Isabella Page No. 38



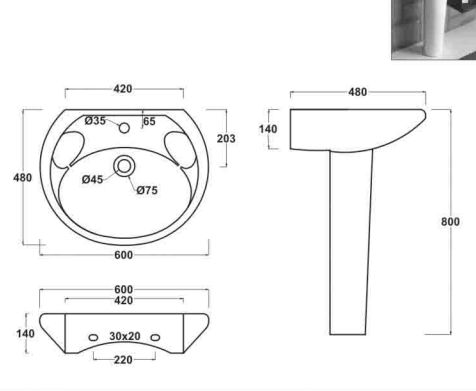
Jupiter Page No. 39



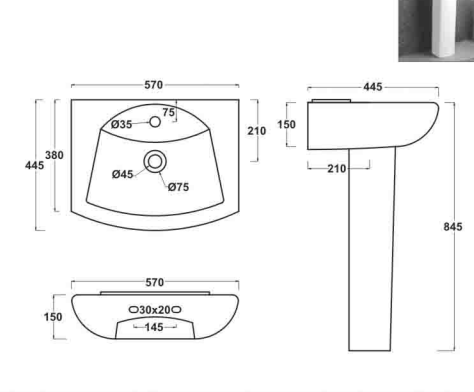
Cooper Page No. 40



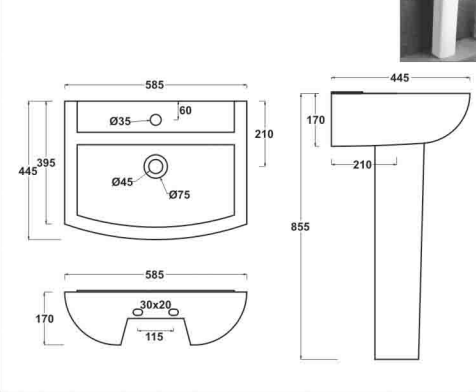
Android Page No. 40



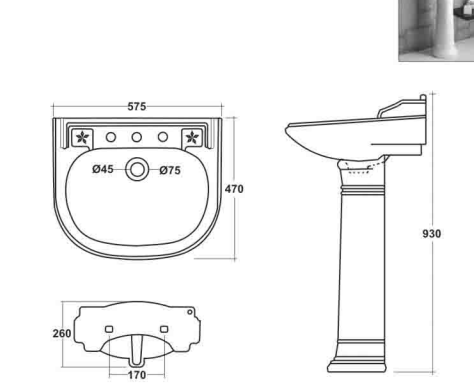
Transit Page No. 41



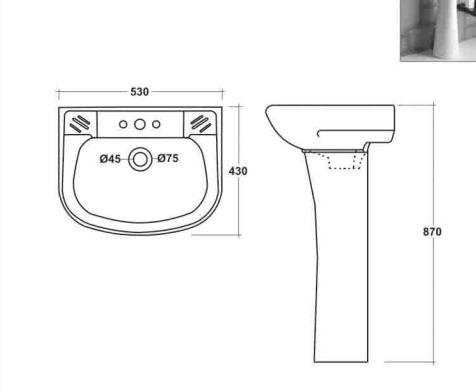
Gloria Page No. 41



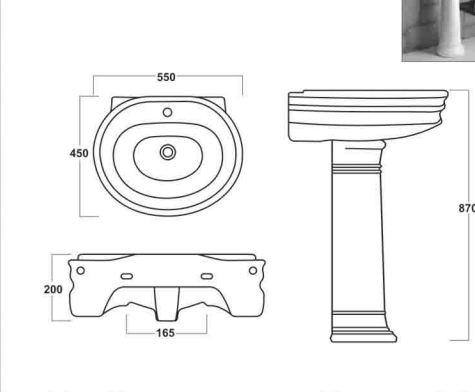
Royale Page No. 42



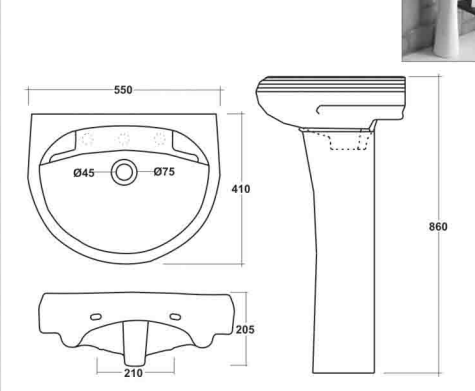
Salsa Page No. 43



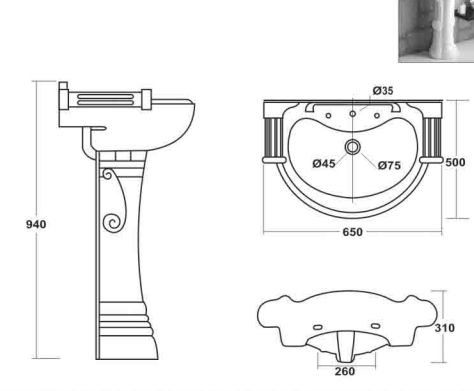
Symphony Page No. 42



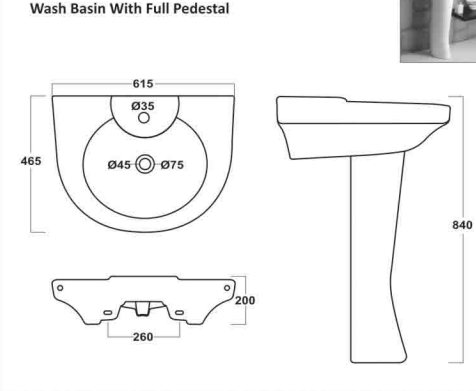
Repose Page No. 43



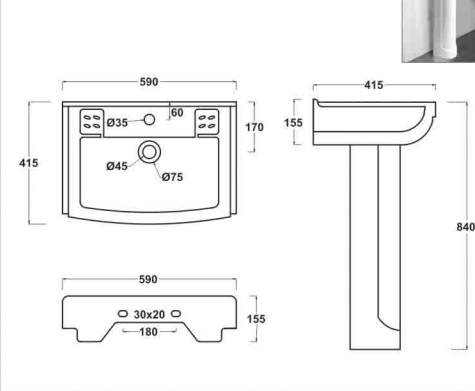
Sterling Page No. 44



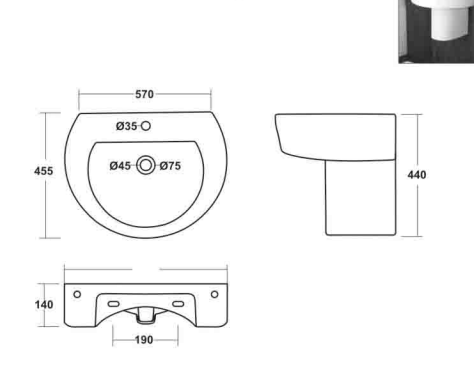
Legend Page No. 44
Wash Basin With Full Pedestal



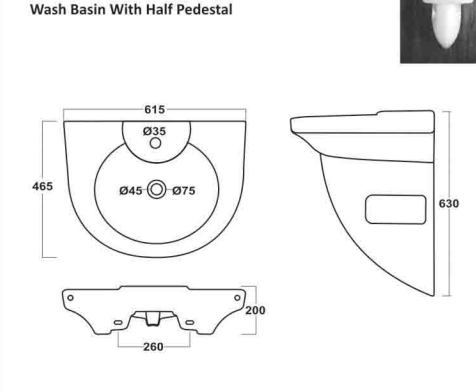
Sofia Page No. 45



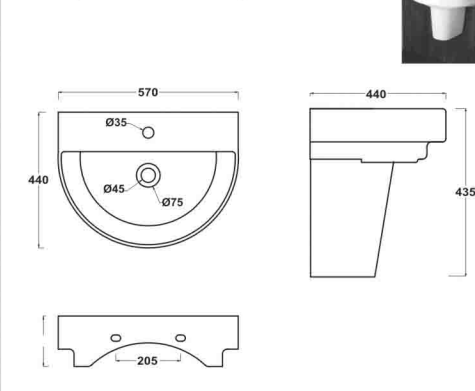
Sizzle Page No. 46



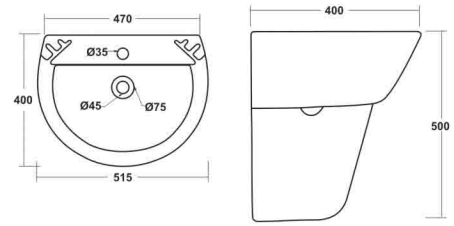
Legend Page No. 46
Wash Basin With Half Pedestal



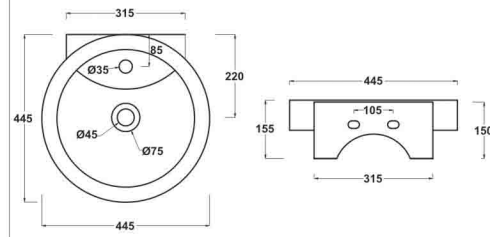
Cooper Page No. 47



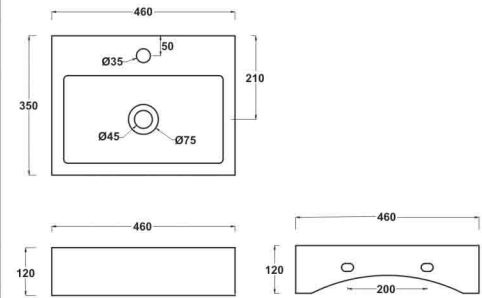
Harmony Page No. 47
Wash Basin With Half Pedestal



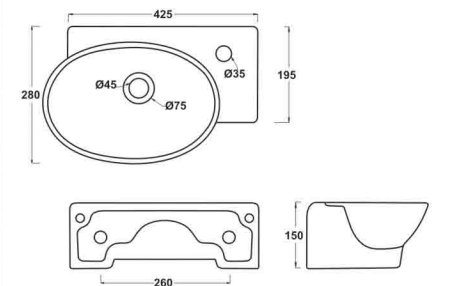
Oracle Page No. 50



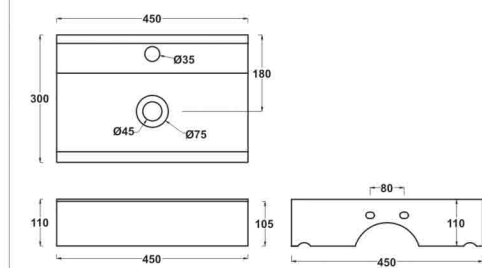
Xenon Page No. 50



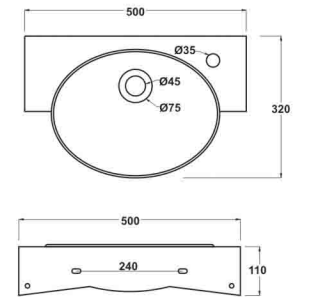
Orbital Page No. 54



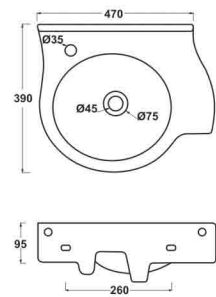
Ripple Page No. 55



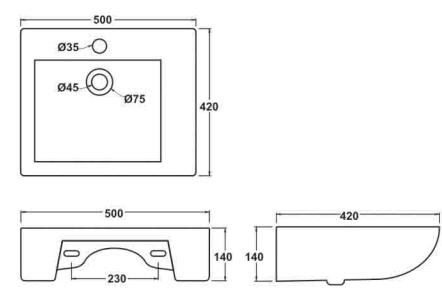
Xander Page No. 55



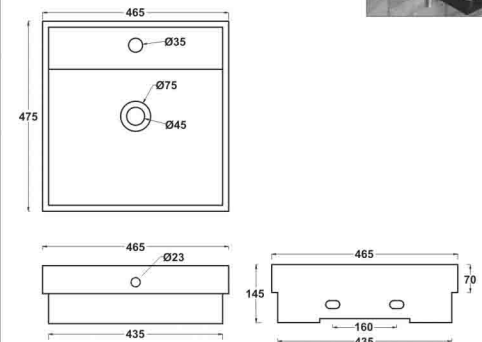
Phoenix Page No. 50



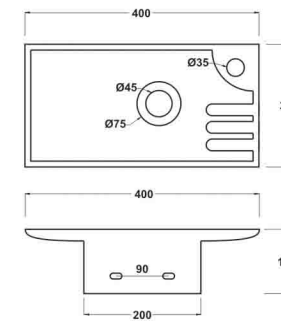
Solaris Page No. 50



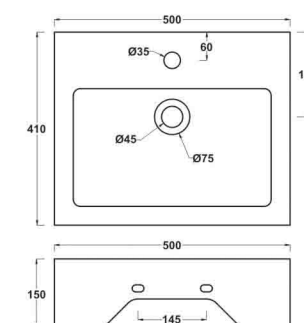
Kamikaze Page No. 51



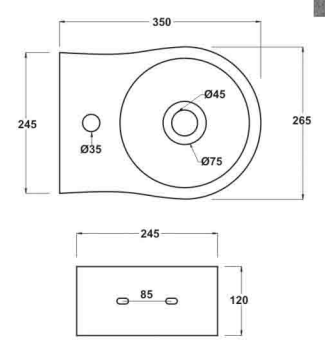
Aswan Page No. 55



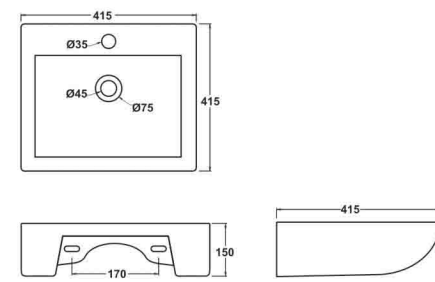
Casanova Page No. 56



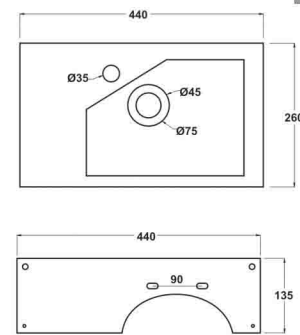
Little Page No. 56



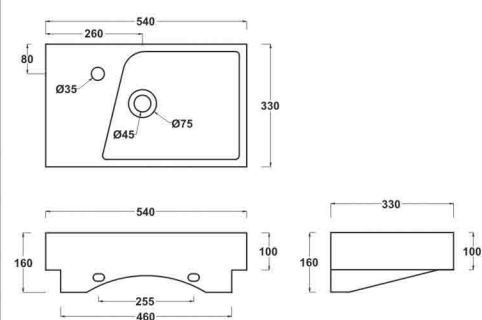
Eragon Page No. 51



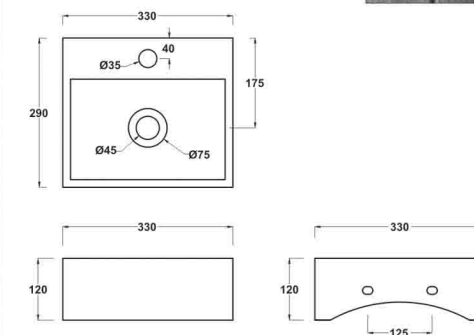
Chariot Page No. 51



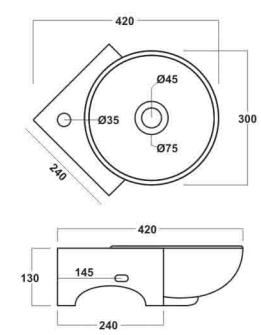
Vogue Page No. 52



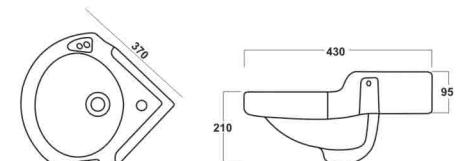
Macho Page No. 56



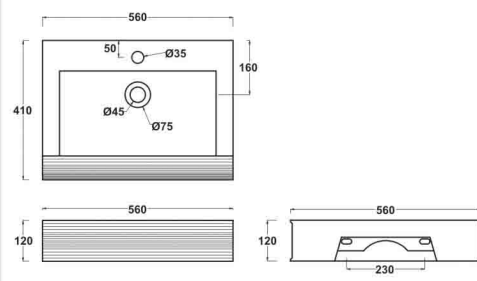
Romeo Page No. 57



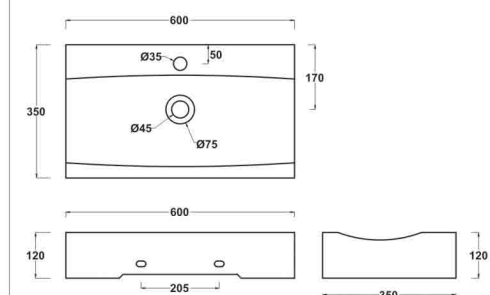
Nick Page No. 57



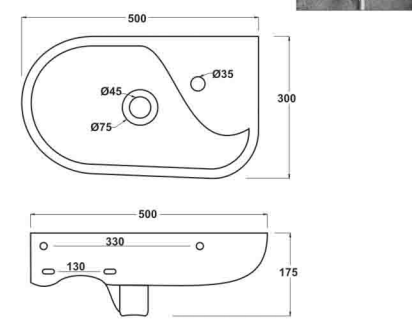
Veronica Page No. 52



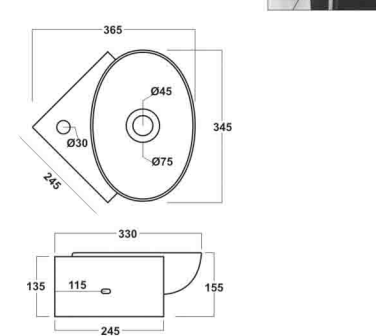
Kingdom Page No. 53



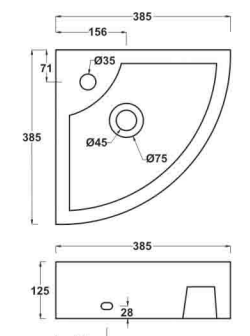
Mango Page No. 54



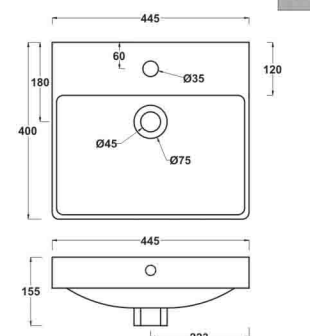
Juliet Page No. 57



Prism Page No. 57



Cuben Page No. 58



Aztec Page No. 58

Golden Page No. 58

Sapphire Page No. 58

Mafia Page No. 62

Elixir Page No. 64

Butterfly Page No. 64

Minto Page No. 59

Archie Page No. 59

Chaos Page No. 09

Excite Page No. 65

Campus Page No. 65

Loopy Page No. 68

Joker Page No. 17

Virgo Page No. 22

Bubble Page No. 25

Moon Page No. 68

Mario Page No. 69

Sleek Page No. 69

Cute Page No. 27

Concert Page No. 32

Cruz Page No. 35

Papirus Page No. 70

Bloom Page No. 71

Simon Page No. 72

Swing Page No. 74

Compact Page No. 75

Wonder Page No. 75

Thunder Page No. 81

Zoro Page No. 11

Explode Page No. 12

Devil Page No. 09

Maximus Page No. 15

Neon Page No. 17

Diego Page No. 19

Devil Page No. 21

Prado Page No. 28

Stud Page No. 22

Inferno Page No. 25

Enigma Page No. 27

Nexus Page No. 31

Miami "S" Page No. 86

Delight "S" Page No. 86

Explode Page No. 32

Diego Page No. 35

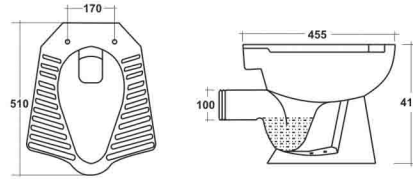
Spirit Page No. 81

Spice "S" Page No. 86

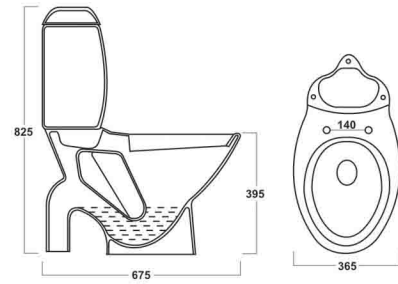
Spice "P" Page No. 86

Anglo Indian "S" Page No. 87

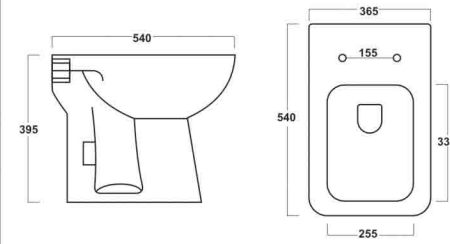
Anglo Indian "P" Page No. 87



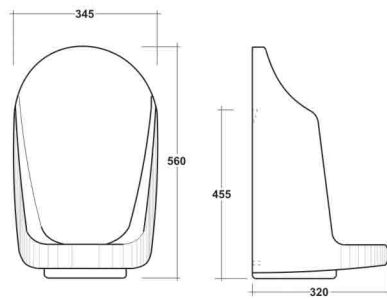
Jazz Page No. 88



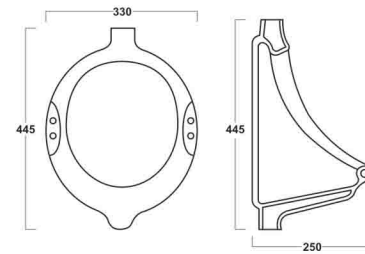
Marathon Page No. 88



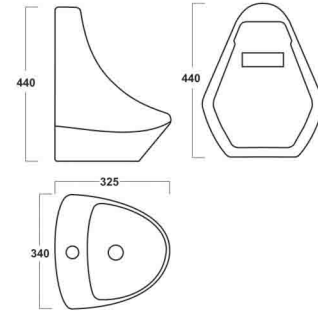
Giant Page No. 89



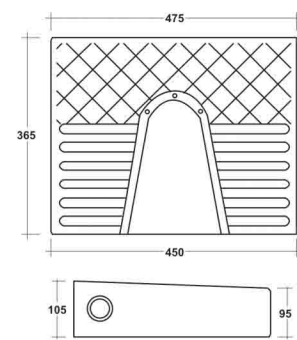
Flat Back Urinal Page No. 89



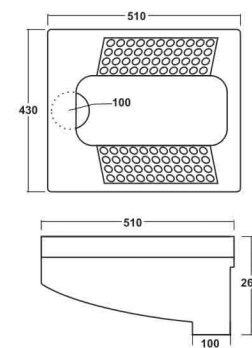
Havana Page No. 89



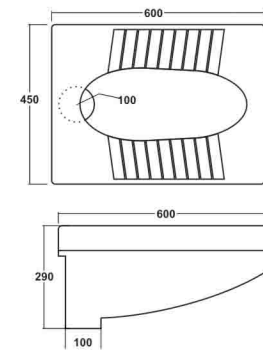
Squatting Urinal Page No. 89



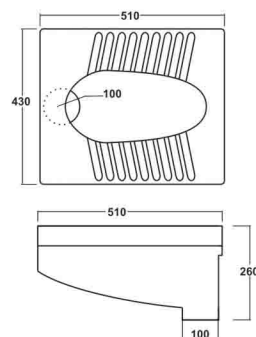
Acu Pan Page No. 90



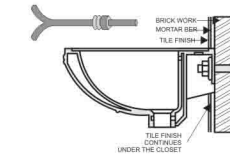
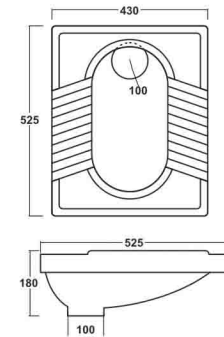
Orisa Pan "23" Page No. 91



Orisa Pan "20" Page No. 91



CT Pan Page No. 91



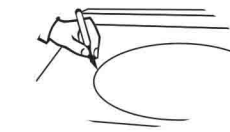
WALL HUNG BASIN

As per shown in the picture, the rag bolt must be grouted into the cement/concrete wall. The bolts must be fixed to the cement/concrete wall. Allow setting & checking than install it using nut and washer.

COUNTER WASHBASIN

At the beginning

1. A skilled or experienced person should install counter lavatories.
2. Avoid using adhesive with this product.
3. Check the waste area and supply tubing if required.
4. Do not open the lavatory from its protective carton until you are ready for installation.
5. Please follow all local building and plumbing codes.



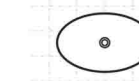
MATERIAL & TOOLS

Measure tape, Keyhole or saber saw, Hammer, Glasses, Rags or Paper toweling, Drill (1/2 dia, drill bit or larger), Pencil, sealant, sharp knife or scissors.

INSTALLATION OF LAVATORY

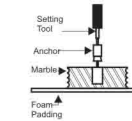
Please Note : Please install it in a way that future removal from underneath the counter top is possible without damaging the counter top.

1. Please check the desired location for clearance between the back splash, faucet, Fixture and cabinet.
2. Please cut the template.
3. Please carefully trace the template on the counter top directed.
4. Please mark the faucet hole centerline on the counter top.
5. Please drill a 1/2" pilot on the inside of the cut line.



For Wood Counter tops:

1. Mark and pre-drill the wood screw holes at the locations shown on the template.
2. Waterproof any exposed areas of wood.



For Marble Counter tops:

1. Position the counter top upside down on foam padding to protect the surface. Mark and drill 3/6" holes 5/8" deep at the locations shown on the template.
2. Use a setting tool and hammer to secure the anchors.



For All Installations:

1. If the counter top has not been installed, install it at this time.
2. Drill the faucet holes according to the faucet installation instructions.
3. Install the faucet to the counter top according to the manufacture's instructions.
4. Install the drain to the lavatory according to the manufacture's instructions.

MAINTENANCE

Like any other part of your house, the bathroom can be made to look great and made to last long if it is taken care of regularly. To make your bathroom beautiful here are some invaluable tips.

Wash Basin :

A mild detergent can be used to wash the basin at least once a day. After washing, the basin should be wiped out clearly to avoid water stains.

Closets :

Cleanser like Harpic can be used to clear the closet with soft plastic brush, at least once a day.

To avoid minute discoloring, after flushing the toilet give it a once over with the soft brush.

Keep the toilet brush handy in a convenient stand nearby.

In case of toilets and basins, if there has been no maintenance since long period of time, water deposits and discoloration can form on the surface of areas that get wet. In such cases, these stains/marks can be removed with the help of a solution of dilute hydrochloric acid.

Clean with a soft cotton cloth and warm water with soap.

Do not use thinner, day cleaning liquids or powder paste. Use a liquid cleaner at least twice a week.

Use brasso or car rubbing compound and then polish with a cloth to remove fine scratches.

INSTALLATION
DETAILS

ITEM	PROBLEM	PROBABLE REASONS	CORRECTIVE ACTIONS
Wash Basins / Table Top	1. Overflow Choked And Foul Bed Odor	Waste Coupling Used May Be Full Threaded	Waste Coupling Should Be Changed To Slot Cut Coupling
	2. Water Deposit On Tap Platform Area And Inside Bowl Area	Basin Is Not Fixed In Level Or Bracket Is Not In Level	Should Be Done By Proper Leveling
	3. There Is No Tap Hole In Basin	Tap Hole Could Be Semi Punched From Back Side	Tap Hole Should Be Created By Plumber From Semipunched Area
Ewc / Pan / Anglo Indian	1. Water Not Coming In Bowl Area While Flushing	Flush Bend Is Not Inserted Up To The End Of Inlet Hole	Insert The Flush Pipe Up To The End Of Inlet (For Pan Closet: Check Whether Flush Pipe Is Not Covering Flush Hole Which Is In Both Side Of Inlet Wall
		Closet / Pan May Be Not Leveled	Should Be Done By Proper Leveling
One Piece Closet	1. Water Not Coming In Bowl Area While Flushing	Mechanism Inside Tank Could Not Working Properly	Change The Centre Pump Of Mechanism
		There Is No Water In Flush Tank	Increase The Ball Cock Height To The Max Level
	2. Water Is Continuously Leaking Inside The Bowl	Mechanism Inside Tank Could Not Working Properly	Change The Centre Pump Of Mechanism
	3. Water Quantity Insufficient For Effective Flushing	Ball Cock Height Adjusted At Lower Level	Increase The Ball Cock Height To The Max Level
Wallhung Water Closet	1. Water Not Coming In Bowl Area While Flushing	Flush Valve May Not Working Properly / Concealed Cistern Is Not Working Properly	Should Change Flush Valve / Concealed Cistern
		Flush Pipe Is Not Inserted Up To The End Of Inlet Hole	Insert The Flush Pipe Up To The End Of Inlet
	2. Water Is Continuously Leaking Inside The Bowl	Closet Is Not Leveled Properly	Closet Should Be In Proper Level
Couple Closet (2 Pcs Closet)	1. Uneven Flow Of Water From Both Side Of Closet Bowl	Connection Between Closet Outlet And Drainage Pipe Is Not Proper	Should Be Done By Proper Connection By Experienced Plumber
		Both Arm Of Diverter Pipe Not Inserted Equally In Both Side Of The Closet	Both Arm Of Diverter Pipe Should Be Inserted Equally In Both Side Of The Closet
	2. Water Is Leaking Between The Cistern And Closet	Diverter Pipe Not Fixed Properly In The Outlet Of Cistern	Diverter Pipe Should Be Fixed Properly In The Outlet Of Cistern
		Rubber Ring Containing Bolt Is Not Tightened Properly	Rubber Ring Containing Bolt Should Be Tightened Properly

One Piece Flushing Mechanism

SS Regbolts

Jazz Closet Mechanism



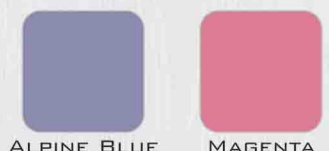
WB Regbolts

STAR WHITE

RUNNING COLOURS



SPECIAL COLOURS



EXCLUSIVE COLOURS



Colours printed above may differ from original colours of ceramics. For actual selection refer samples or shade board.